

# X-GLASS™

“POWER THAT LASTS”



Mono MWT  
290 / 300 / 310

THE FIRST  
GLASS-GLASS  
BACK CONTACT  
SOLAR MODULE  
IN THE WORLD

**WINNER!**  
**SOLAR SOLUTION**  
**INNOVATION AWARD 2015**



>18%

HIGH MODULE  
EFFICIENCY



HIGH PERFORMANCE  
RATIO



30+ yr

HIGH DURABILITY



ELEGANT AND  
SLIM DESIGN

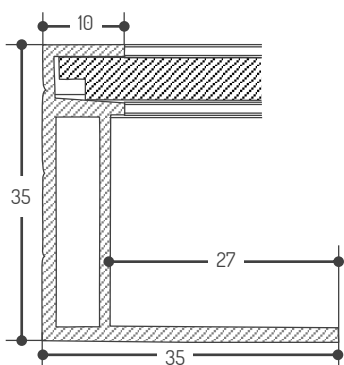
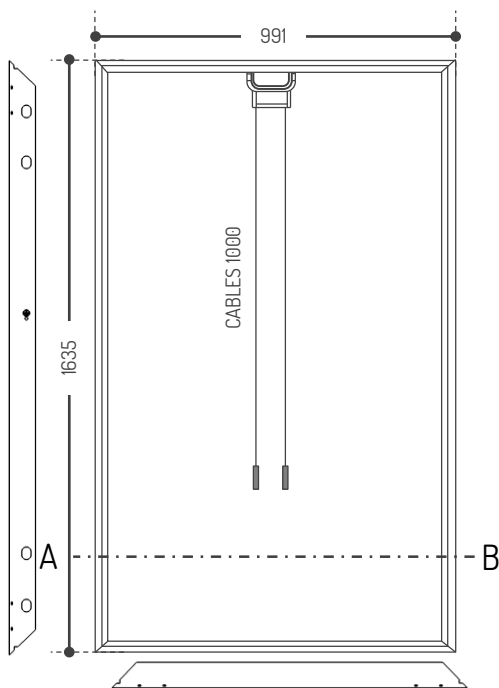


PRODUCED IN THE  
NETHERLANDS

**EXASUN**

# X-GLASS™ SOLAR PV MODULES (60 cells)

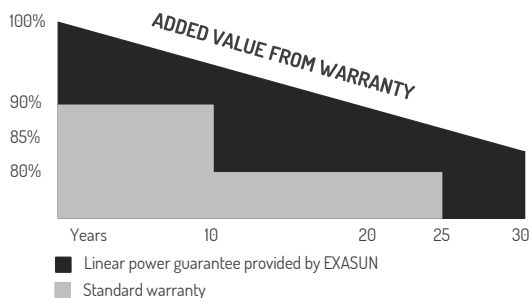
INVENTED & PRODUCED IN EUROPE



## WARRANTIES

30 yr Product Workmanship Warranty

30 yr Linear Power Warranty



# EXASUN

Laan van Ypenburg 122  
2497 GC DEN HAAG-ZH  
THE NETHERLANDS

+3188 4343 888  
info@exasun.com  
www.exasun.com

## MODULE TYPE

**X60-BG240**  
240Wp Terracotta

**X60-BG300**  
300Wp

**X60-BG310**  
310Wp White

## ELECTRICAL PERFORMANCE (STC)

Module Efficiency	Nm [%]	15.0%	18.9%	19.5%
Peak Power Output $P_{MAX}$	[Wp]	240	300	310
Maximum Power Voltage $V_{MPP}$	[V]	33.3	32.4	32.9
Maximum Power Current $I_{MPP}$	[A]	6.2	9.3	9.4
Open Circuit Voltage $V_{OC}$	[V]	40.4	39.3	39.8
Short Circuit Current $I_{SC}$	[A]	7.3	9.8	10.3

STC: Irradiance at 1000 W/m<sup>2</sup>; Cell temp. 25° C AM 1.5 spectrum according to EN 60904-3

## ELECTRICAL PERFORMANCE (NOCT)

Maximum Power $P_{MAX}$	[Wp]	178	223	230
Maximum Power Voltage $V_{MPP}$	[V]	28.6	27.8	28.3
Maximum Power Current $I_{MPP}$	[A]	6.2	8.0	8.1

NOCT: Irradiance at 800 W/m<sup>2</sup>; Ambient Temp. 20° C, Wind speed 1 m/s

## COMPONENTS & DIMENSIONS

Cell Type	PERC - Monocrystalline Silicon - Metal Wrap Through		
Cell Dimensions	mm	156.75 x 156.75	
Module Type	Framed Glass-Glass		
Module Dimensions	mm	1635 x 991	
Module Weight	kg	22.5	
Mounting	Black Anodized Aluminum Frame: Back Rail (X60-BG240)		
Frontside Glass	2.0 Tempered Ultra clear Glass (EN1863) AR Coated & Structured		
Backside Glass	2.0 mm Tempered Glass		
Diodes	3		
Connector	MC 4		

## OPERATING CONDITIONS

Max. Static Load Front	Snow	5400 Pa
Max. Static Load Back	Wind	2400 Pa
Max. Hail Stone Impact	mm at m/s	75 mm at 39.5 m/s
Temp. Coefficient Power	$P_{MAX}$	-0.375 %/K
Temp. Coefficient Voltage	$V_{OC}$	-0.294 %/K
Temp. Coefficient Current	$I_{SC}$	+0.041 %/K
Operating Temperature Range	°C	-40 to 125
Max System Voltage	V DC	1000
Max Series Fuse Rating	A	12

## OUR PARTNER

## CERTIFICATIONS

Certification ongoing  
IEC 61215 and IEC61730-1, -2



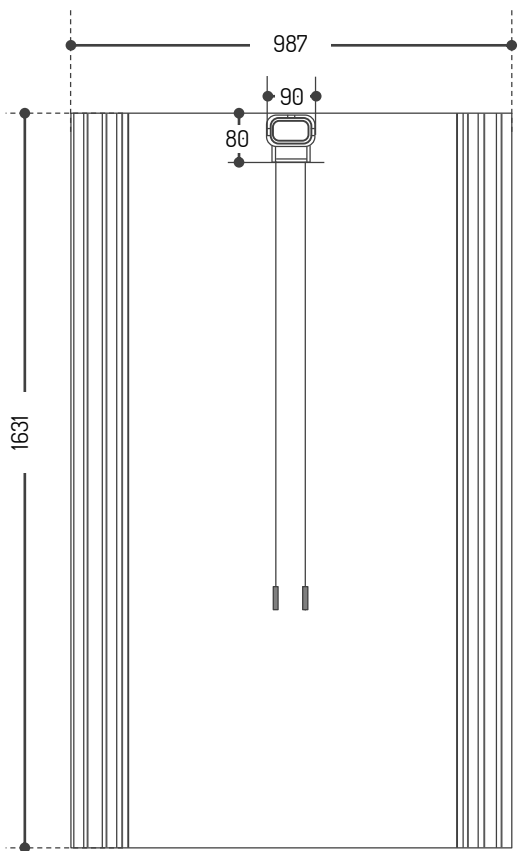
EXASUN endeavors to provide you with the correct specifications. This data sheet complies with the requirements of NEN EN 50380. Specifications are subject to change without prior notice.  
© EXASUN | 2018 | All Rights reserved

# X-GLASS™

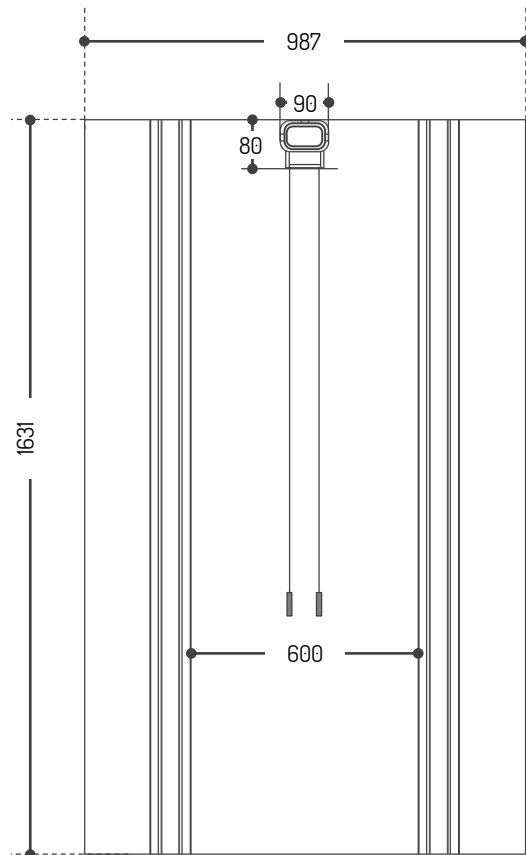
## ALTERNATIVE MOUNTING OPTIONS

	BACK RAIL EDGE	BACK RAIL CENTERED
Dimensions	1631 x 987 mm	1631 x 987 mm
Weight	22.0 kg	22.0 kg
Mounting	Fast Fix Backrail: Galvanized MagnelisSteel	

### BACK RAIL EDGE



### BACK RAIL CENTERED



**EXASUN**

Laan van Ypenburg 122 +3188 4343 888  
2497 GC DEN HAAG-ZH info@exasun.com  
THE NETHERLANDS www.exasun.com