

X-COMPACT

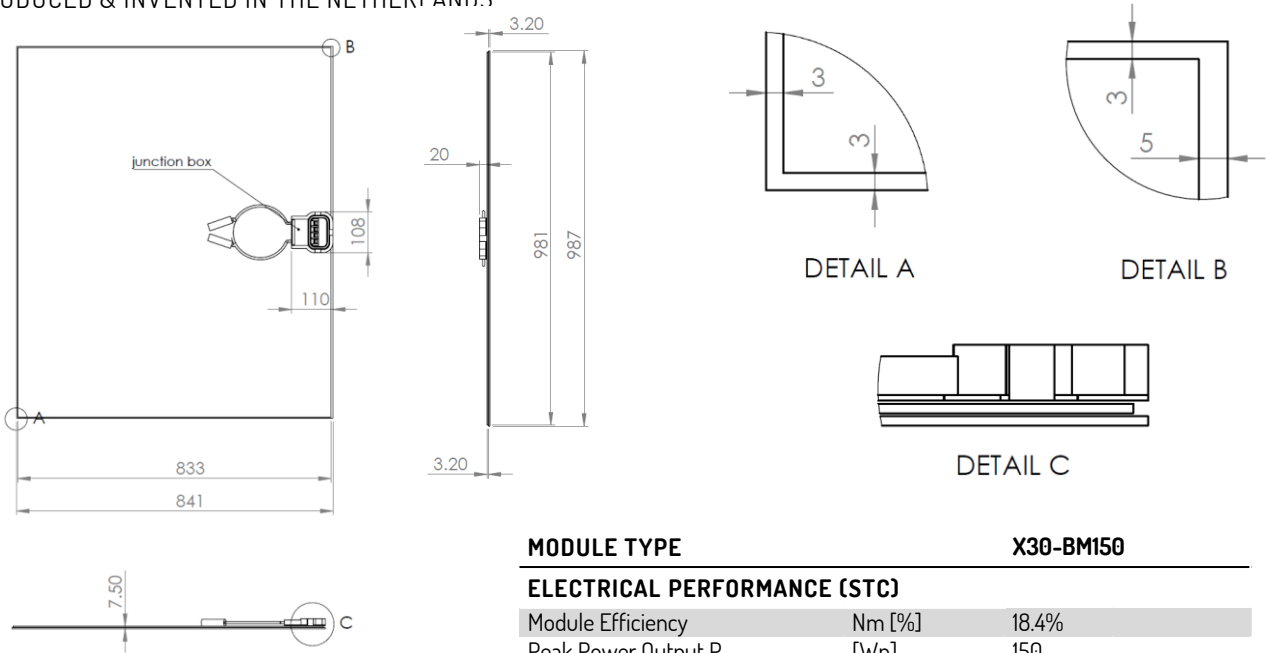
X30-XBC150 - 150Wp



EXASUN

X-COMPACT SOLAR PV MODULES (30 cells)

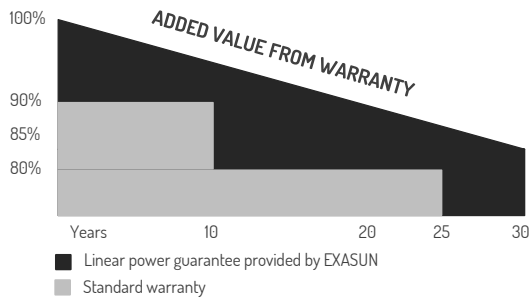
PRODUCED & INVENTED IN THE NETHERLANDS



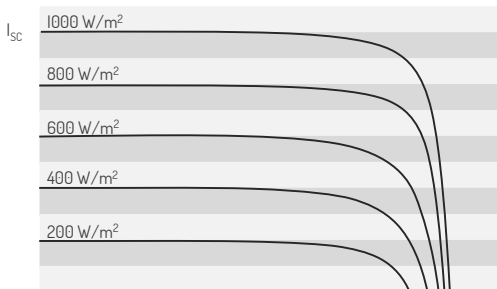
WARRANTIES

30 yr Product Workmanship Warranty

30 yr Linear Power Warranty



IV CURVE



MODULE TYPE

X30-BM150

ELECTRICAL PERFORMANCE (STC)

Module Efficiency	Nm [%]	18.4%
Peak Power Output P_{MAX}	[Wp]	150
Maximum Power Voltage V_{MPP}	[V]	16.3
Maximum Power Current I_{MPP}	[A]	9.2
Open Circuit Voltage V_{OC}	[V]	20.0
Short Circuit Current I_{SC}	[A]	9.8

STC: Irradiance at 1000 W/m², Cell temp. 25°C AM 1.5 spectrum according to EN 60904-3

ELECTRICAL PERFORMANCE (NOCT)

Maximum Power P_{MAX}	[Wp]	112
Maximum Power Voltage V_{MPP}	[V]	14.0
Maximum Power Current I_{MPP}	[A]	7.9

NOCT: Irradiance at 800 W/m², Ambient Temp. 20°C, Wind speed 1 m/s

COMPONENTS & DIMENSIONS

Cell Type	PERC - Monocrystalline Silicon - Metal Wrap Through	
Module	Frameless BIPV Glass-Glass	
Dimensions	mm	987 x 841
Thickness	mm	7.5 ± 0.2
Weight	kg	14.8
Mounting	Glass Clamps	
Frontside Glass	3.2 Hardened Ultraclear Glass (EN1863) AR Coated & Structured	
Backside Glass	3.2 mm Hardened Glass	
Diodes	3	
Connector	MC 4	

OPERATING CONDITIONS

Max. Static Load Front	Snow	5400 Pa
Max. Static Load Back	Wind	2400 Pa
Max. Hail Stone Impact	mm bij m/s	75 mm bij 39.5 m/s
Temp. Coefficient Power	P_{MAX}	-0.375 %/K
Temp. Coefficient Voltage	V_{OC}	-0.294 %/K
Temp. Coefficient Current	I_{SC}	+0.041 %/K
Operating Temperature Range	°C	-40 to 125
Max System Voltage	V DC	1000
Max Series Fuse Rating	A	12

CERTIFICATIONS

Certification ongoing
IEC 61215 and IEC 61730-1, -2



EXASUN

Laan van Ypenburg 122
2497 GC DEN HAAG-ZH
THE NETHERLANDS

+3188 4343 888
info@exasun.com
www.exasun.com

EXASUN endeavors to provide you with the correct specifications. This data sheet complies with the requirements of NEN EN 50380. Specifications are subject to change without prior notice. © EXASUN | 2018 | All Rights reserved